

# ELECTRIC STAND-UP COUNTERBALANCED FORKLIFT

Model :  
**T-CPD20SR**



More productive and comfortable operation space.



Multi-function control Joy-stick

**AC**



## Advantages :

### SAFETY AND STABILITY

- This feature appears especially important when in or out of the container, and carrying goods in congested area and narrow aisle. Standing type design with wide view, clear visibility.
- Imported drive wheel and mast.
- With multi-function LED display with BID can be programmed, include battery discharge, faulty code, drive direction, hour meter, brake situation etc.
- Advanced AC control system offers strong driven ability. No brush with generative brake.
- Offers three type driven speed : low speed , normal speed, high speed. You may choice according to different request.
- Multi-function type joy stick can control forward, reverse, mast lifting/lowering, tiling and sideshift etc. easy to operate.
- Germany made magnetic multi-valve, with proportional valve and offers adjustable lifting/lowering speed.
- Wet disc brake.

### OFFERS 6 TYPE CONTROL SPEED

- System Controlled Hydraulic Speeds : The hydraulic system automatically controls tilt and stable side-shift speed to increase forklift stability and operator confidence.
- Travel Speed Control : truck can automatically controls travel speeds and braking based on fork height and other operating conditions.
- Cornering Speed Control : the truck will automatically adjust travel speed when steering.
- Ramp Speed Control : The intelligent control system can maintains holds truck stopped on the ramp until the operator start travel forward at a constant speed.

- Safe Speed Control : The forklift will slow down automatically if the foot of the operator places out of the standing platform.
- Lift/lower Speed Control : The operator can adjust the lift and lower speed by control handle.

### ERGONOMICS

- With adjustable armrest, comfortable and stable. Suit for different height driver using.
- Large compartment for standing, with foot relax plate, can effectively relax foot while static operation.
- The standing platform has a good shock absorption, conform to ergonomic design to make the operation more comfortable.
- The adjustable armrest and seat provides padded support to ensure the hand comfortable and stable, and meet different requirements for the operators.

### SERVICE ABILITY

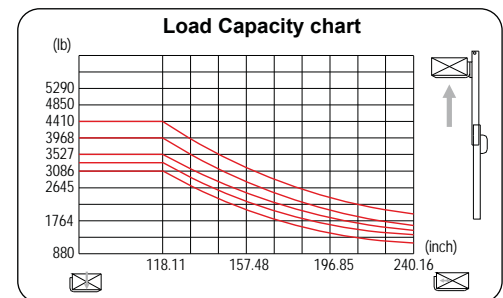
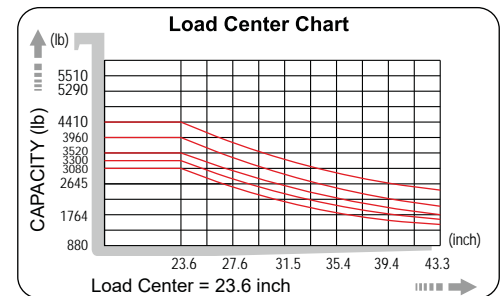
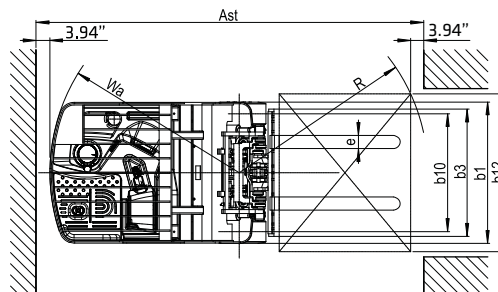
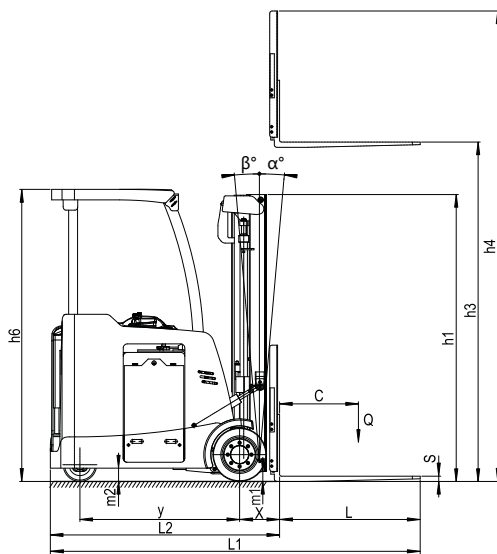
- Easy reach to electrical system while open the front cover, easy for maintenance.
- Driving motor and lifting motor are all with AC system, brushless easy to maintain, external encoder is easy to replace.
- Sideway moving battery with lock system it is convenient for maintenance.
- Lifting function will be cut off while battery discharge is over 80%.
- The multi-function display with error code can easy to check troubles of truck.

### Option

- Reading light
- Electric fan
- Sideshift and other accessories of the forklift

Model		T-CPD20SR-16	T-CPD20SR-18
Load capacity / rated load	Q (lb)	3520	3960
Load center distance	C (inch)	23.6	23.6
Distance from front axle to fork	X (inch)	11.8	11.8
Wheelbase	Y (inch)	47.2	49.6
Tyre size ( front )	spring solid wheel	16x7x10.5	16x7x10.5
Tyre size ( rear )	solid wheel	10x5x6.5	10x5x6.5
Wheel ( number - front )		2	2
Wheel ( number - rear )		2	2
Thread ( front )	b10 (inch)	35.3	35.3
Thread ( rear )	b11 (inch)	6.9	6.9
Tilt of mast ( fork carriage forward )		5	5
Tilt of mast ( fork carriage backward )		5	5
Mast height ( lowered )	h1 (inch)	78.7	78.7
Free lift height	h2 (inch)	option	option
Lift height	h3 (inch)	118.1	118.1
Height ( mast extended )	h4 (inch)	159.4	159.4
Overall width	b1 (inch)	42.3	42.3
Fork dimensions ( S x E x L )	inch	1.6 x 3.9 x 36.2 (42.1)	1.6 x 3.9 x 36.2 (42.1)
Fork frame width	b3 (inch)	39.3	39.3
Bottom of mast height ( laden )	m1 (inch)	2.8	2.8
Truck body height off the ground	m2 (inch)	3.5	3.5
Aisle width for pallets 39.4"x 47.2" crossways	Ast (inch)	120.5	122.8
Aisle width for pallets 31.5"x 47.2" lengthways	Ast (inch)	124.4	126.8
Turning radius	Wa (inch)	56.7	59.1
Travel speed ( laden / unladen )	km/h	9 / 9.5	9 / 9.5
Gradeability ( laden / unladen )	%	10 / 15	10 / 15
Brake		Electric	Electric
System pressure	bar	150	160
Battery voltage ( nominal capacity )	V/Ah	36/800	36/900
Battery weight	lb	2090	2425
Travel control		AC	AC
Service weight ( without battery )	lb	6740	6878

**Remark :** The data is based on the lifting height 118.1 inch; Lifting height from 118.1 inch to 236.2 inch are available;



**TAILIFT MATERIAL HANDLING TAIWAN CO., LTD.**

No. 5, Zili 1st Road, Nankang Industrial Zone, Nantou city 540, TAIWAN

Tel: +886-49-2263800 Fax: +886-49- 2252919

Website: www.tailift.com E-mail: insales@tailift.com.tw

**TAILIFT MATERIAL HANDLING USA, Inc.**

5550 Jurupa St, Ontario, CA 91761

TEL: (909) 930-9801, (909) 930-9802 FAX: (909) 930-9739

Website: www.tailift-usa.com

