

Model :
T-FB 20R
T-FB 25R



Advantages :

SAFETY AND STABILITY

- Improved efficiency most popular H type driving axle, optimized structure layout and improved efficiency.
- High power and large torque AC driving motor, large diameter body to export larger torque, heat radiating groove reserved for better heat exchange in case of extra-long-time use.
- Multifunctional display with using time, fault code, battery status, forklift running information.
- AC driving motor without brush, free of maintenance; low electric current, silent driving.
- Low gravity center thanks to relocated battery, greatly reinforcing steering stability.
- Steering circuit preference, to ensure safety in every turn when steering and lifting in the same time, and to save energy.
- Dual-controller design, one driving controller, the other control steering and lifting.
- Metal housing for better protection.
- Full LED light.

SERVICE ABILITY

- Easy maintained controller and steering potentiometer.
- Brushless lifting and driving motor, reduced cost of ownership; external encoder, easy to replace and service.
- Over discharge protecting system; while the battery discharges less than 20%, the instrument warning light will turn on.
- Braking oil cup installed on the instrument panel, convenient to check and add braking oil.


ERGONOMICS

- Optimized structure creates a large and comfortable operating room.
- Adjustable steering wheel column, the driver can adjust the position according to his need.
- Integrated light switch and steering wheel.
- Clear and wide view mast with good visibility.
- Intelligent mast collapse buffering.

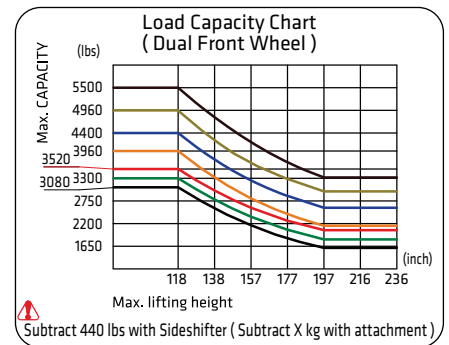
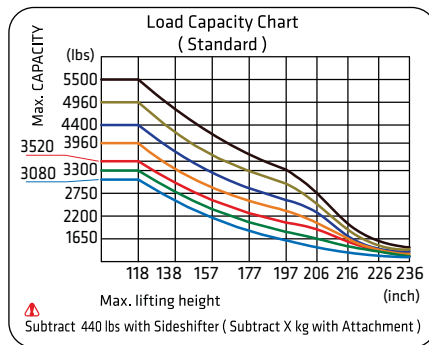
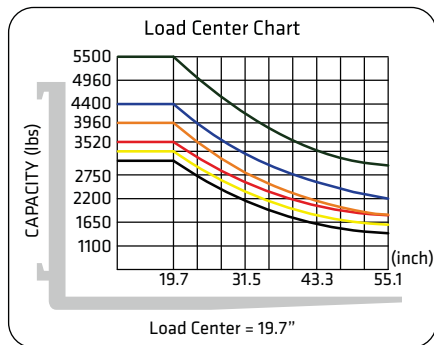
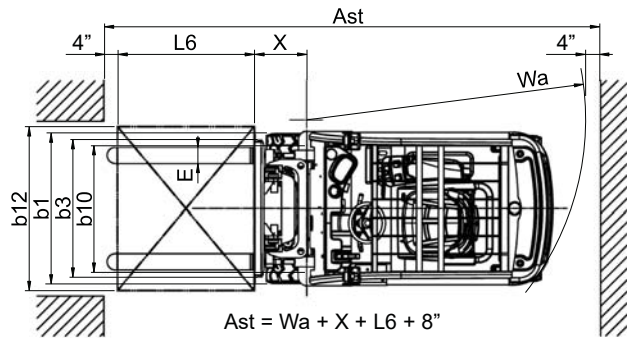
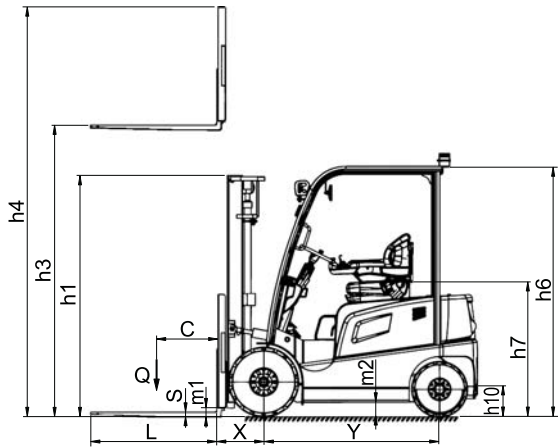
OPTIONAL

- Side - way battery box
- Electromagnetic valve
- Shock-absorbing chair, with power disconnect function
- Dual - front - wheels
- Adjustable lifting motor speed system
- Cold storage application
- Lithium battery

Model		T-FB 20R	T-FB 25R
Power		electric	electric
Operation type		seated	seated
Capacity / rated load	Q (lbs)	4400	5500
Load centre distance	C (inch)	19.7	19.7
Lift height	h3 (inch)	118 ~ 236	118 ~ 236
Load distance, centre of drive axle to fork	X (inch)	15.5	17.5
Wheelbase	Y (inch)	58.2	58.2
Service weight (with battery)	lbs	7710	9140
Axle loading (laden front / rear)	lbs	10615 / 1510	12912 / 1748
Axle loading (unladen front / rear)	lbs	3600 / 4110	4098 / 4950
Tyre type		Pneumatic / Solid	Pneumatic / Solid
Tyre size, front		6.50-10	23x9-10
Tyre size, rear		5.00-8	18x7-8
Wheels, number front rear (x = driven wheels)		2x/2	2x/2
Tread, front	b10 (inch)	36.6	38.2
Tread, rear	b11 (inch)	36.2	38.2
Tilt of mast/frok carriage forward/backward	Grad	5/10	5/10
Height, mast lowered	h1 (inch)	79.3 ~ 102.7	80.7
Height, mast extended	h4 (inch)	102.7 ~ 277.5	159.4 ~ 277.5
Height of overheard guard (cabin)	h6 (inch)	82.7	82.7
Seat height / Stand height	h7 (inch)	40.9	40.9
Height of traction bolt	h10 (inch)	10.2	10.2
Overall length	l1 (inch)	128.7	130.3
Length to face of forks	l2 (inch)	86.6	88.2
Overall width	b1 (inch)	44.5	47.2
Fork dimensions (S x E x L)	inch	1.6 x 4.7 x 42	1.6 x 4.7 x 42
Fork carriage DIN 15173, class/type A,B		2A	2A
Fork carriage width	b3 (inch)	42.8	45.7
Ground clearance, laden, below mast	m1 (inch)	4.3	4.3
Ground clearance, centre of wheelbase	m2 (inch)	4.5	4.3
Aisle width for pallets 1000x1200 crossways	Ast (inch)	141.7	145.7
Aisle width for pallets 800x1200 lengthways	Ast (inch)	149.6	153.5
Turning radius	Wa (inch)	81.9	85.8
Travel speed (laden / unladen)	mph	7.5 / 8.1	7.5 / 8.1
Lift speed (laden / unladen)	mph	0.6 / 0.7	0.6 / 0.7
Lowering speed (laden / unladen)	mph	0.8 / 0.9	0.8 / 0.9
Max. gradeability (laden / unladen)	%	15 / 20	13/14
Battery voltage, nominal capacity K5	V/Ah	48 / 560	48 / 560
Battery weight	lbs	1675	1807 / 2325
Driving control system		AC	AC

* Option:  T-FB20R Lithium battery 350AH (Charger 48V/100A)
T-FB25R Lithium battery 450AH (Charger 48V/200A)

Remark: The data is based on the lifting height 3000mm; Lifting height from 118" to 236" are available; Electric controller selection (1)standard : Inmotion (2)Option : Curtis



TAILIFT MATERIAL HANDLING TAIWAN CO., LTD.

No. 5, Zili 1st Road, Nankang Industrial Zone, Nantou city 540, TAIWAN
Tel: +886-49-2263800 Fax: +886-49- 2252919
Website: www.tailift.com E-mail: insales@tailift.com.tw

TAILIFT MATERIAL HANDLING USA, Inc.

5550 Jurupa St, Ontario, CA 91761
TEL: (909) 930-9801, (909) 930-9802 FAX: (909) 930-9739
Website: www.tailift-usa.com

