

# ELECTRIC PALLET TRUCK (JACK)



Model:

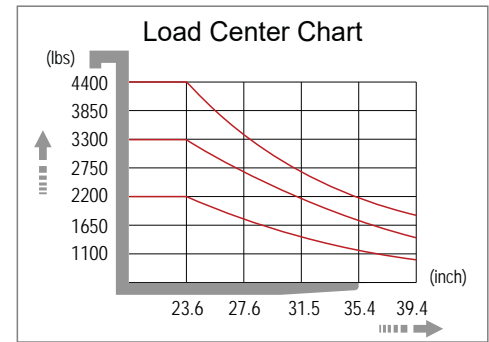
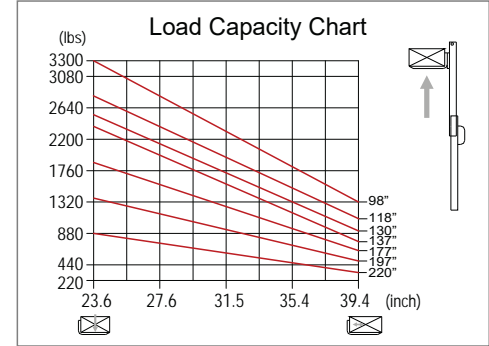
T-CDDK10-III  
T-CDDK12-III  
T-CDDK15-III

AC

EPS

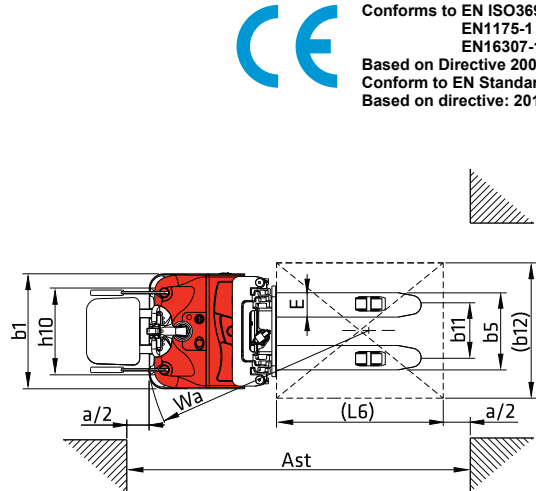
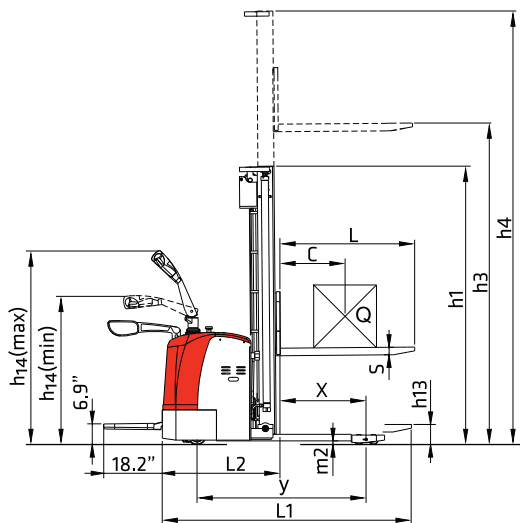
(Option)

Hot Sale



Model		T-CDDK10-III	T-CDDK12-III	T-CDDK15-III
Load capacity / rated load	Q (lbs)	2200	2640	3300
Load centre distance	C (inch)	19.7	19.7	23.6
Load distance, centre of drive axle to fork	X (inch)	23.6	23.6	27.4
Fork height, lowered	h13 (inch)	3.5	3.5	3.5
Tyre size ( front )	inch	Ø9.8 x 2.7	Ø9.8 x 2.7	Ø9.8 x 2.7
Tyre size ( rear )	inch	Ø3.1 x 2.7	Ø3.1 x 2.7	Ø3.1 x 2.7
Additional wheels ( dimensions )	inch	Ø5.9 x 2.3	Ø5.9 x 2.3	Ø5.9 x 2.3
Wheels, number front rear ( x=driven wheels )		1x + 2 / 4	1x + 2 / 4	1x + 2 / 4
Height, mast lowered	h1 (inch)	82 / 72 / 82 / 88	82 / 72 / 82 / 88	82 / 72 / 82 / 88 / 81 / 87 / 95
Free lift ( option 98.4" ~ 118" )	h2 (inch)	~	~	~ / 62 / 68 / 76
Max. Lift height	h3 (inch)	63 / 98 / 118 / 130	63 / 98 / 118 / 130	63 / 98 / 118 / 130 / 177 / 197 / 220
Height, mast extended	h4 (inch)	82 / 121 / 141 / 153	82 / 121 / 141 / 153	82 / 121 / 141 / 153 / 198 / 217 / 240
Height of tiller in drive position min./max.	h14 (inch)	45 / 57	45 / 57	45 / 57
Overall length	L1 (inch)	77	77	79.7
Length to face of forks	L2 (inch)	33	33	36
Overall width	b1 (inch)	33.4	33.4	33.4
Fork dimensions ( S x E x L )	inch	2.3 x 6.7 x 42	2.3 x 6.7 x 42	2.3 x 6.7 x 42
Width overall forks	b5 (inch)	22.4 / 27.4	22.4 / 27.4	22.4 / 27.4
Aisle width for pallets 31.5"x47.2" lengthways	Ast (inch)	96	96	99.2
Turning radius	Wa (inch)	62	62	65
Travel speed ( laden / unladen )	mph	4.3 / 4.4	4.3 / 4.4	4.3 / 4.4
Lift speed ( laden / unladen )	mph	0.24 / 0.38	0.22 / 0.36	0.2 / 0.36
Lowering speed ( laden / unladen )	mph	0.33 / 0.36	0.34 / 0.36	0.34 / 0.36
Battery voltage, nominal capacity K5	V/Ah	24 / 120	24 / 120	24 / 200
Battery weight	lbs	198	198	353
Battery dimensions ( L x W x H )	inch	29.6 x 7 x 9.4	29.6 x 7 x 9.4	31.5 x 10 x 12.6
Service weight ( with battery )	lbs	1543 / 1653 / 1720 / 1764	1764 / 1874 / 1918 / 1962	1852 / 2028 / 2050 / 2083 / 3329 / 3417 / 3461

\*Option : (1) With EPS the drive wheel size is 9.8" x 3.1" (2) Lithium battery 24V/225Ah



Conforms to EN ISO3691-1  
EN1175-1  
EN16307-1  
Based on Directive 2006/42/EC  
Conform to EN Standard 12895  
Based on directive: 2014/30/EU (EMC)

## TAILIFT MATERIAL HANDLING TAIWAN CO., LTD.

No. 5, Zili 1st Road, Nankang Industrial Zone, Nantou city 540, TAIWAN  
Tel: +886-49-2263800 Fax: +886-49- 2252919  
Website: www.tailift.com E-mail: insales@tailift.com.tw

## TAILIFT MATERIAL HANDLING USA, Inc.

5550 Jurupa St, Ontario, CA 91761  
TEL: (909) 930-9801, (909) 930-9802 FAX: (909) 930-9739  
Website: www.tailift-usa.com

